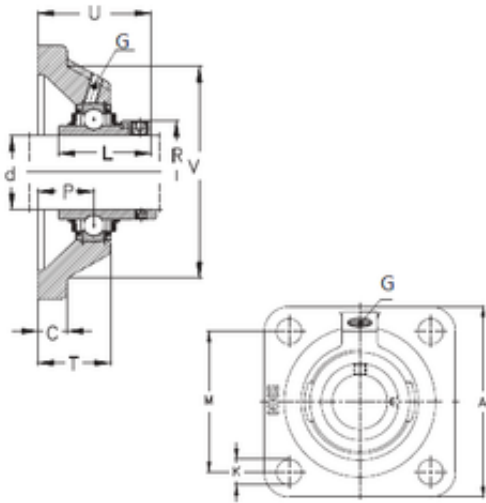




Stainless steel bearing equipment Co....



NKE RCJO80 bearing units

Bearing No. RCJO80

Bore Diameter	80 mm
d	80 mm
P	50 mm
V	210 mm
U	109,7 mm
K	28 mm
A	250 mm
C	25 mm
L	93,7 mm
M	196 mm
R	118 mm
T	80 mm
Thread (G)	R1/8 "

RCJO80 Bearing 2D drawings and 3D CAD models