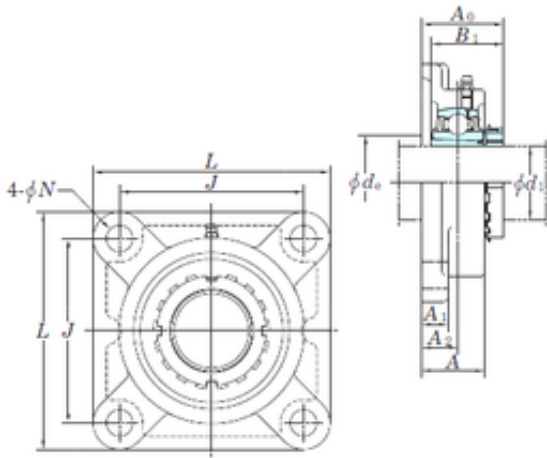




Stainless steel bearing equipment Co....

KOYO UKFX10 bearing units

Bearing No. UKFX10



UKFX10 Bearing 2D drawings and 3D CAD models

Bore Diameter	45 mm
d	45 mm
A0	53,5 mm
d3	58 mm
A	44 mm
A1	20 mm
B1	55 mm
J	130 mm
L	162 mm
N	19 mm
Thread (G)	M16
A2	26 mm
Weight	3,6 Kg
Basic dynamic load rating (C)	43,4 kN
Basic static load rating (C0)	29,4 kN