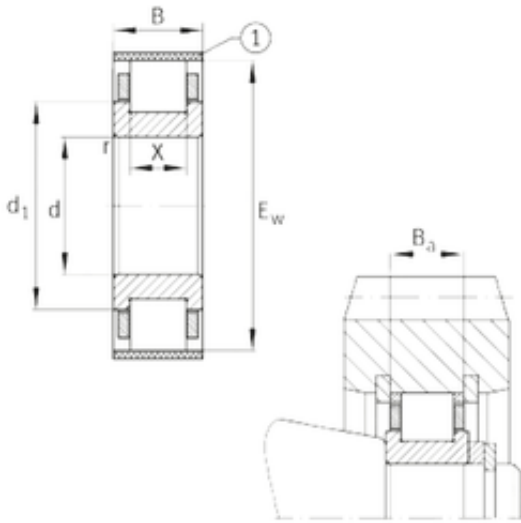




## Stainless steel bearing equipment Co....



RN306-E-MPBX Bearing 2D drawings and 3D CAD models

### FAG RN306-E-MPBX cylindrical roller bearings

Bearing No. RN306-E-MPBX

Size	30x62.5x19 mm
Bore Diameter	30 mm
Outer Diameter	62,5 mm
Width	19 mm
d	30 mm
Ew	62,5 mm
B	19 mm
Ba	17,2 mm
X	12 mm
d1	45 mm
r min.	1,1 mm
Weight	0,245 Kg
Basic dynamic load rating (C)	61 kN
Basic static load rating (C0)	48 kN