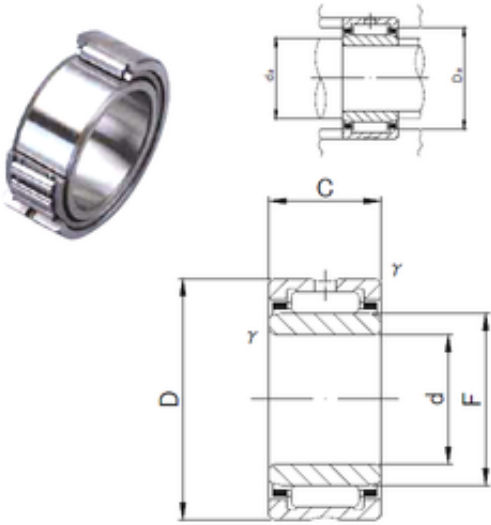




## Stainless steel bearing equipment Co....



30 mm x 45 mm x 20 mm JNS NKI 30/20 needle roller bearings

Bearing No. NKI 30/20

Size	30x45x20 mm
Bore Diameter	30 mm
Outer Diameter	45 mm
Width	20 mm
d	30 mm
F	35 mm
D	45 mm
B	20 mm
C	20 mm
r min.	0,3 mm
da min.	32 mm
da max	34 mm
Da max.	43 mm
Weight	0,112 Kg
Basic dynamic load rating (C)	27 kN
Basic static load rating (C0)	46,2 kN

NKI 30/20 Bearing 2D drawings and 3D CAD models