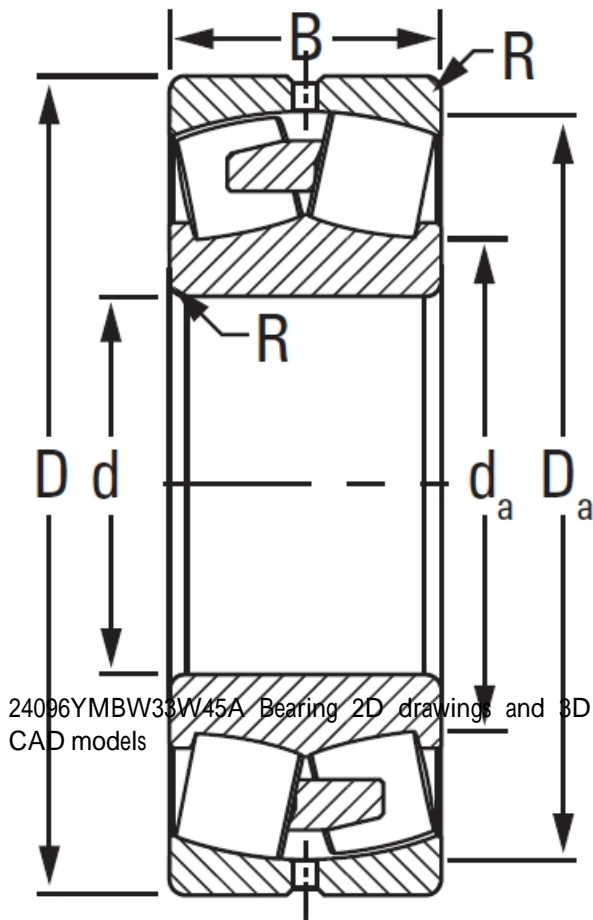




Stainless steel bearing equipment Co....

24096YMBW33W45A TIMKEN Full Complement Cylindrical Roller Radial Bearings

Bearing No. 24096YMBW33W45A



Design Unit	METRIC
Bearing Weight	282.100 Kg
Cage Type	YMB
UPC Code	053893973708
Cage Material	Brass
d	480.000 mm
D	700.000 mm
B - Inner Ring Width	218 mm
B - Outer Ring Width	218.000 mm
R - Inner Ring To Clear Radius ¹	5.000 mm
r - Outer Ring To Clear Radius ²	5.000 mm
da - Inner Ring Backing Diameter	526.000 mm
Da - Outer Ring Backing Diameter	652.000 mm
C0 - Static Radial Rating	10900000 N
C1(2) - Dynamic Radial Rating (Two-Rows)	5450000 N
e - ISO Factor ³	0.28
Y0 - ISO Factor ⁴	2.45
Y1 - ISO Factor ⁵	3.64
Y2 - ISO Factor ⁶	2.39
Reference Thermal Speed Rating (Grease)	370
Reference Thermal Speed Rating (Oil) ⁷	410



Stainless steel bearing equipment Co....

Cg - Geometry Factor ⁸	0.1012
-----------------------------------	--------